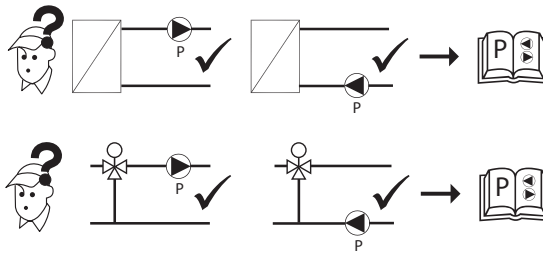
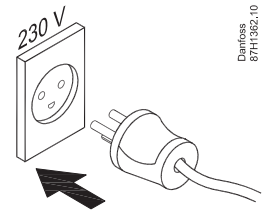
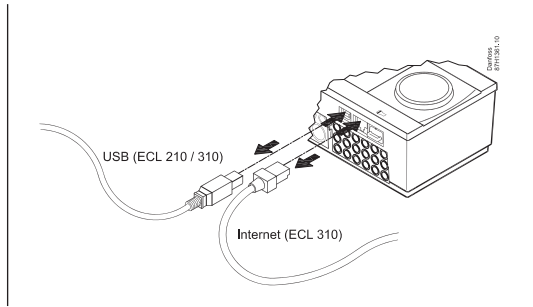
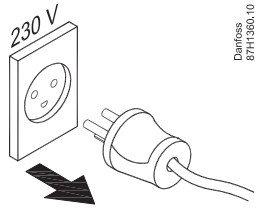
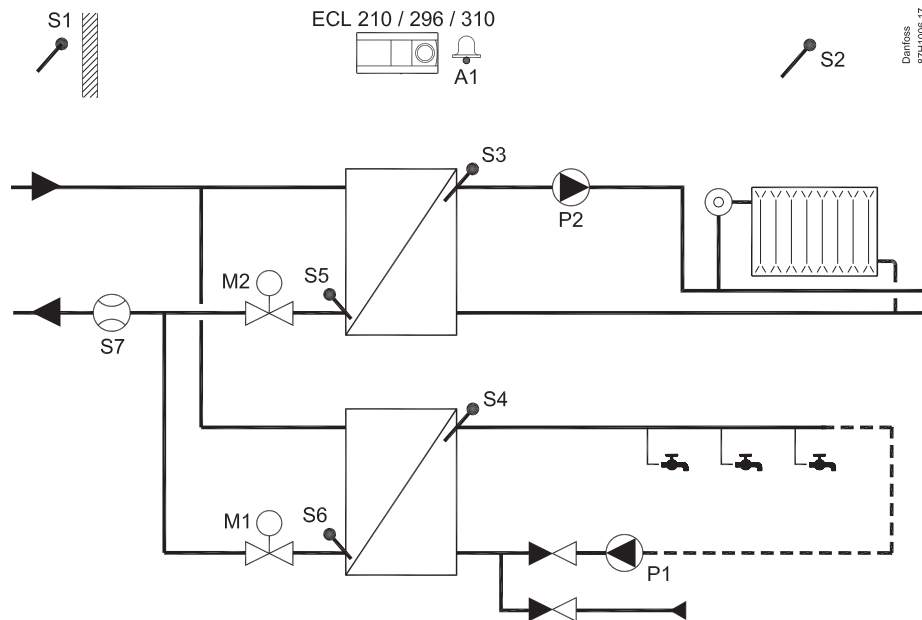


Installation Guide

ECL Comfort 210 / 296 / 310, A266 (code no. 087H3800)

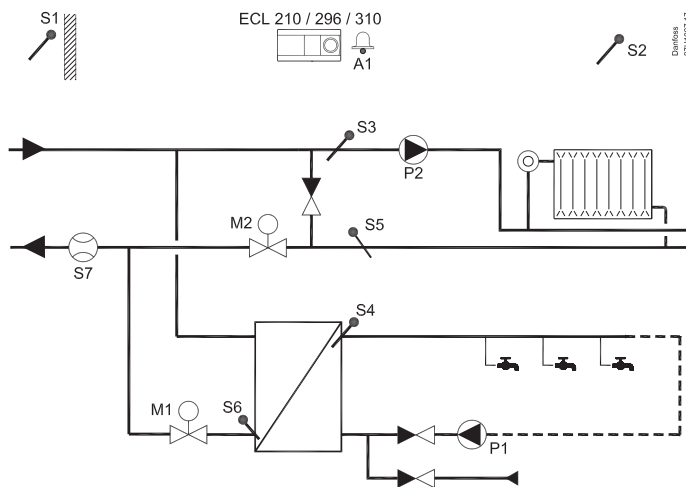


A266.1 (ex. a):



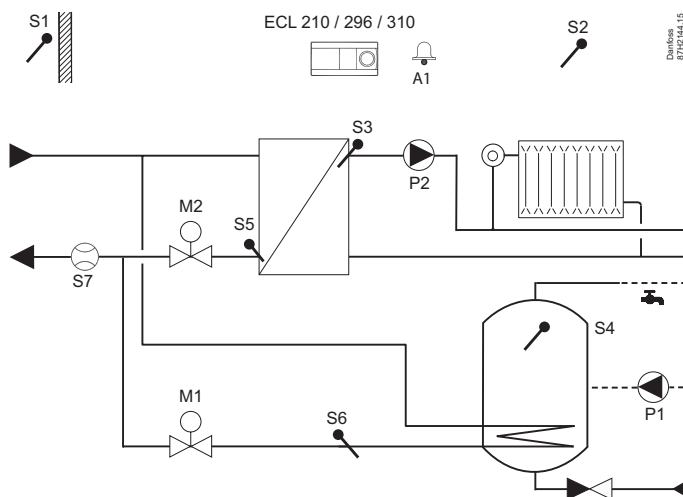
M1, M2 = 3-point / 0 - 10V

A266.1 (ex. b):



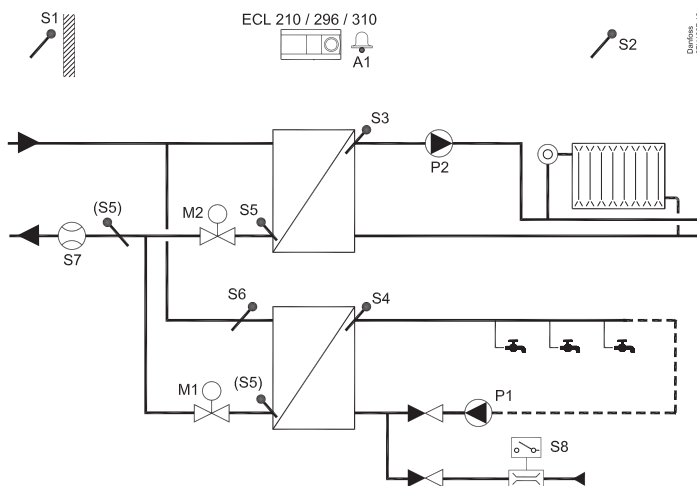
M1, M2 = 3-point / 0 - 10 V

A266.1 (ex. c):



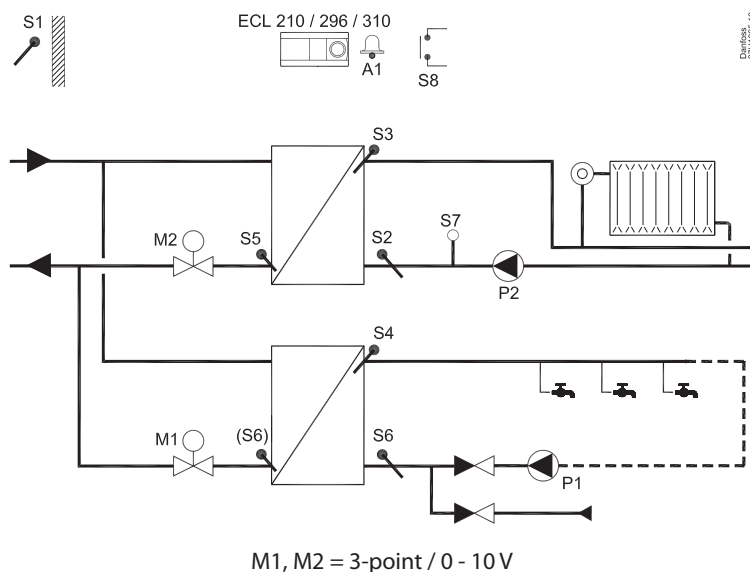
M1, M2 = 3-point / 0 - 10 V

A266.2 (ex. a):

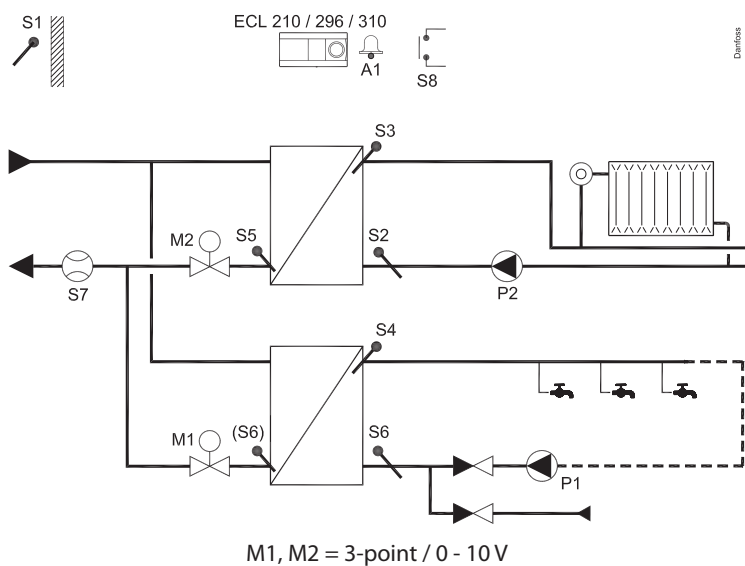


M2 = 3-point / 0 - 10 V

A266.9 (ex. a):



A266.10 (ex. a):



A266, ECA 32

	0 - 10V:	
	M1	M2
A266.1	✓	✓
A266.2		✓
A266.9	✓	✓
A266.10	✓	✓

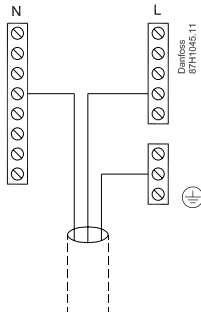
ECL Comfort 210 / 296 / 310:

230 V a.c.

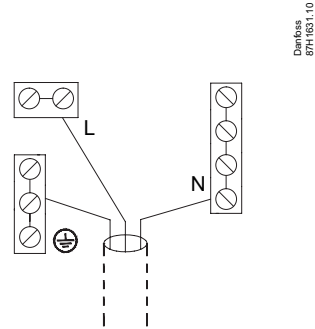
R		4 (2) A / 230 V a.c.
R		
Tr		0,2 A / 230 V a.c.

Installation Guide, ECL Comfort 210 / 296 / 310, A266

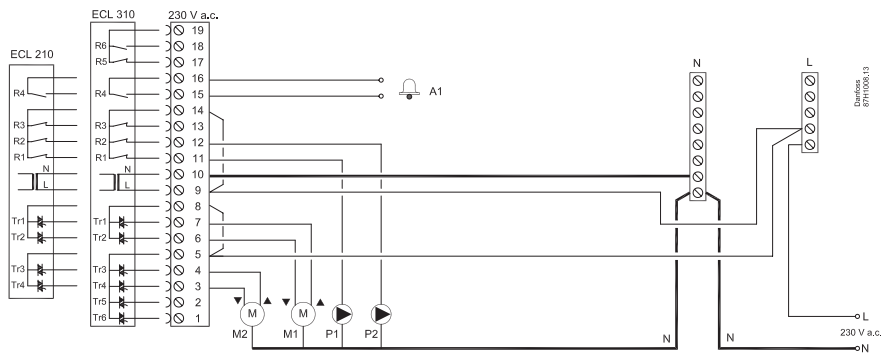
ECL Comfort 210 / 310



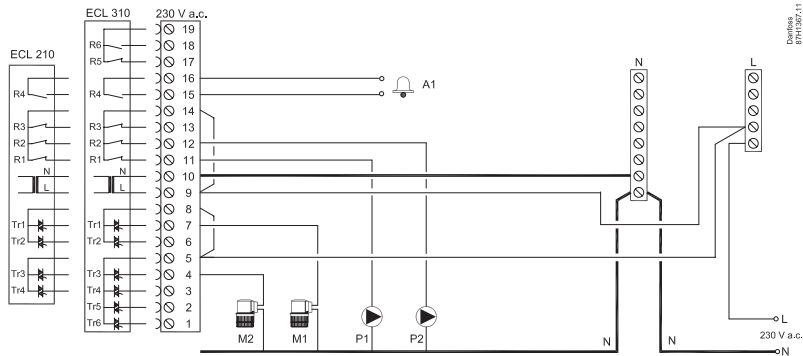
ECL Comfort 296



230 V a.c. , A266.1 / A266.2 / A266.9 / A266.10

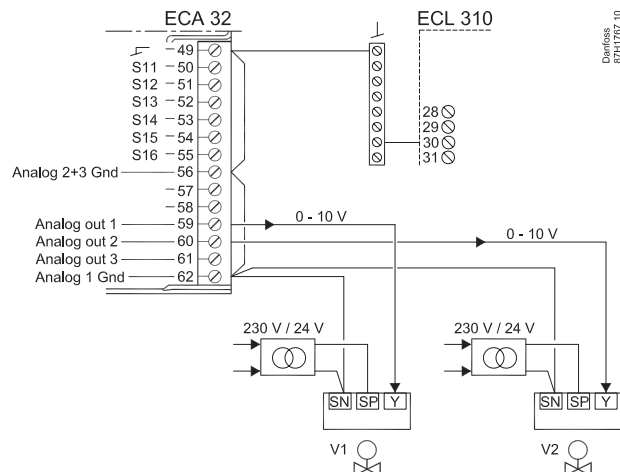


230 V a.c. , A266.1 / A266.2 / A266.9 / A266.10



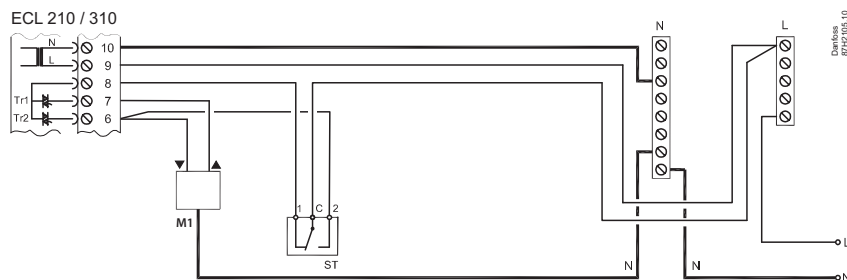
A266, ECL Comfort 310

ECA 32, V1, V2



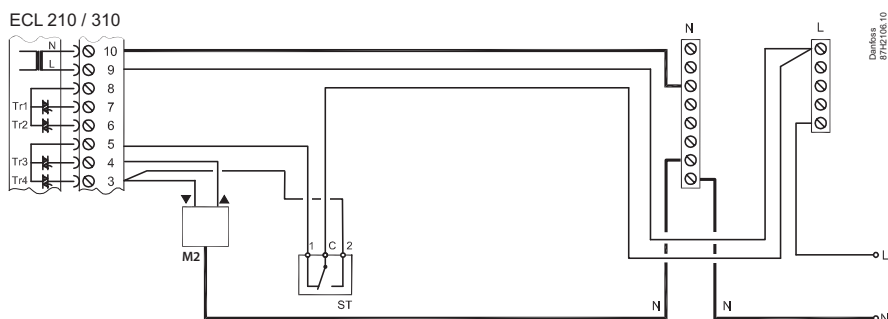
230 V a.c. / 24 V a.c. , safety thermostat

1-step closing



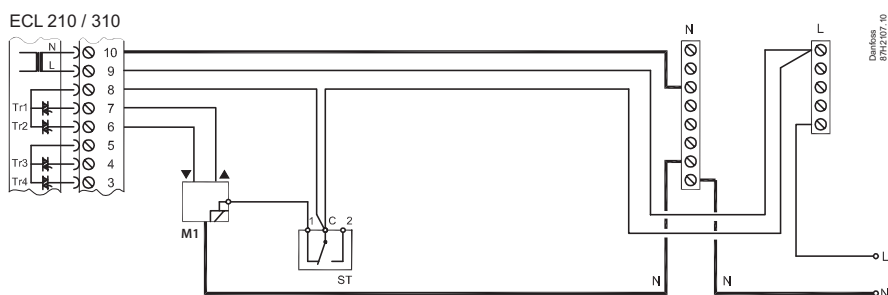
230 V a.c. / 24 V a.c. , safety thermostat

1-step closing



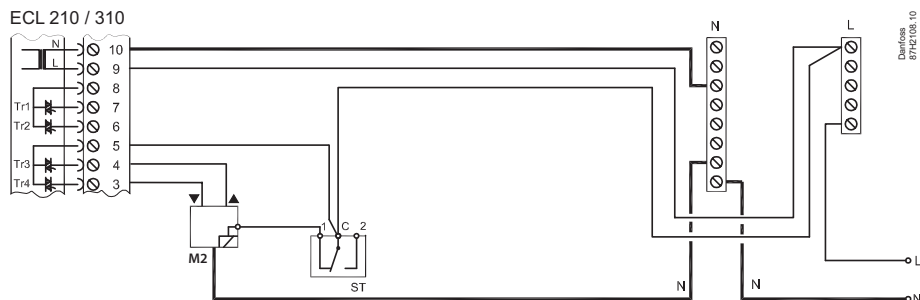
230 V a.c. / 24 V a.c. , safety thermostat

1-step closing



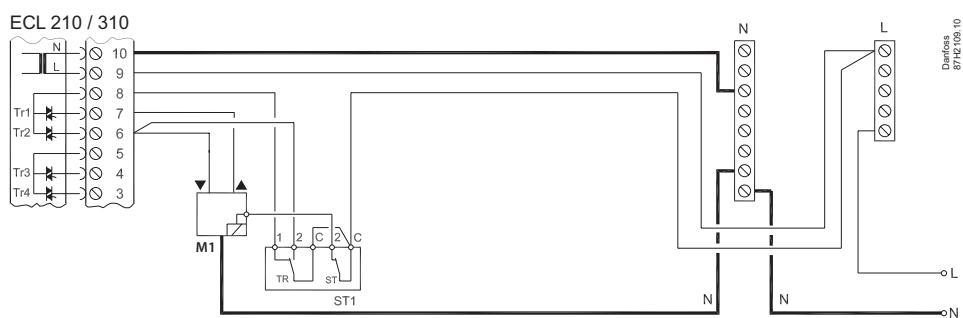
230 V a.c. / 24 V a.c. , safety thermostat

1-step closing



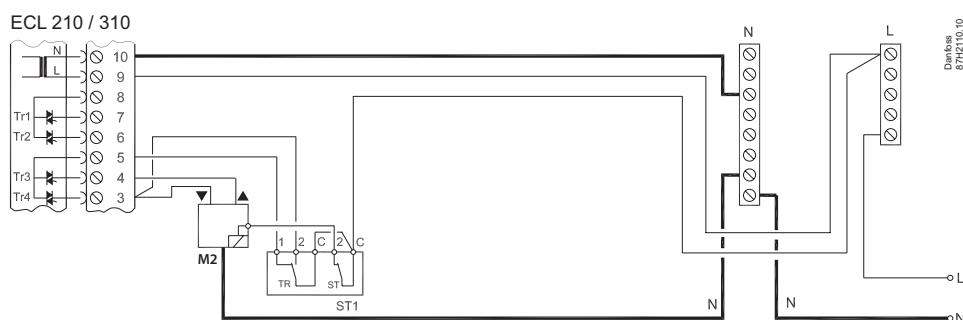
230 V a.c. / 24 V a.c. , safety thermostat

2-step closing



230 V a.c. / 24 V a.c. , safety thermostat

2-step closing

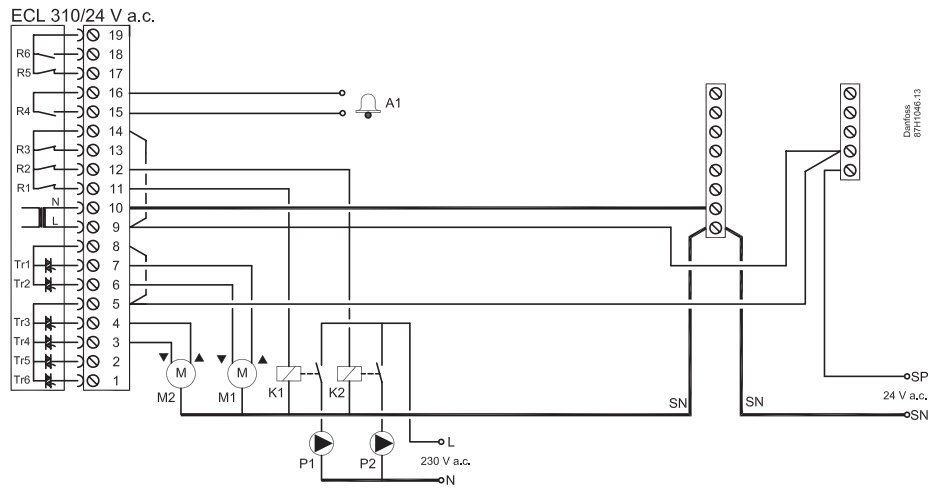


ECL Comfort 310:

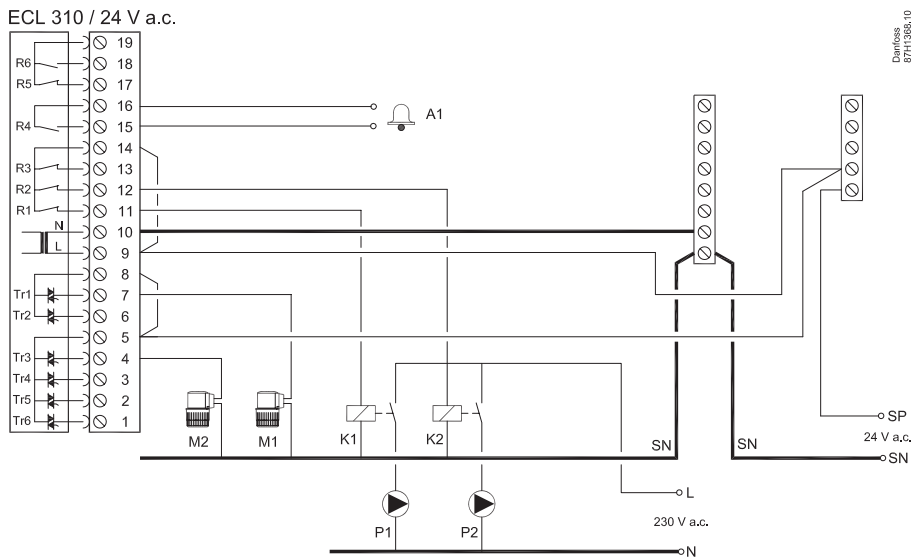
24 V a.c.

R		4 (2) A / 24 V a.c.
R		
Tr		1 A / 24 V a.c.

24 V a.c. (A266.1 / A266.2 / A266.9 / A266.10)

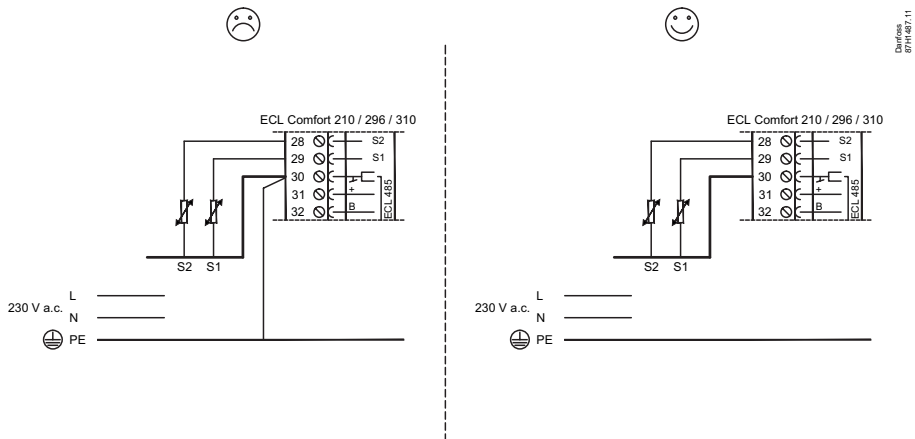


24 V a.c. (A266.1 / A266.2 / A266.9 / A266.10)



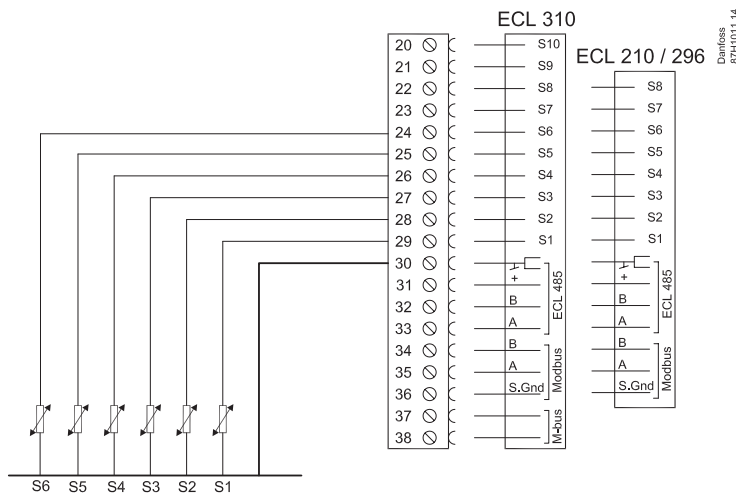
Installation Guide, ECL Comfort 210 / 296 / 310, A266

Pt 1000 (1000 Ω / 0 °C)



Danfoss
87H102.11

A266.1 / A266.2 / A266.9 / A266.10

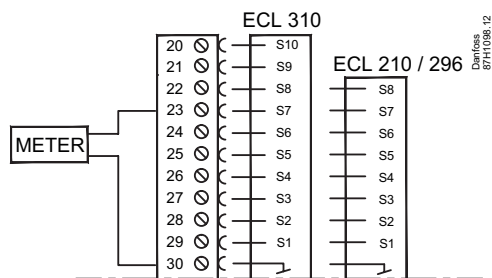


Danfoss
87H1011.14

A266.1 / A266.2 / A266.10



S7



Danfoss
87H1036.12

A266.1 / A266.2 / A266.10

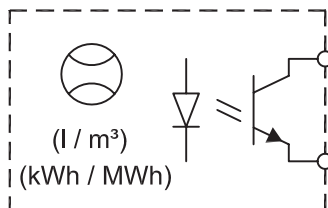


S7



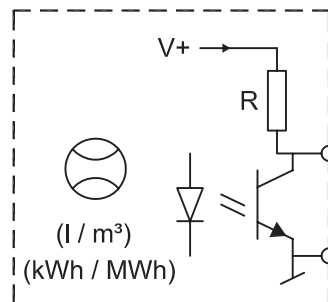
A / B ?

A:



Danfoss
87H1457.10

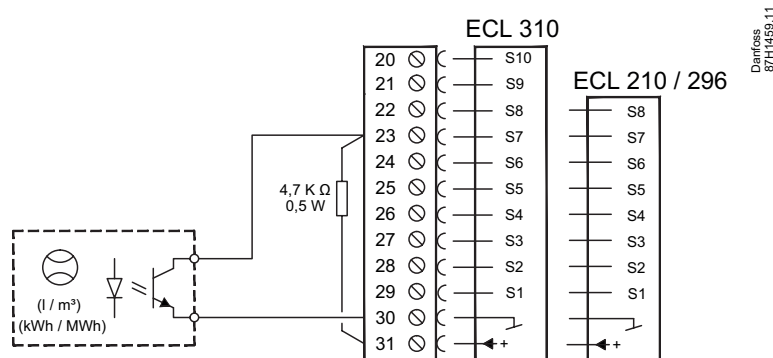
B:



Danfoss
87H1458.10

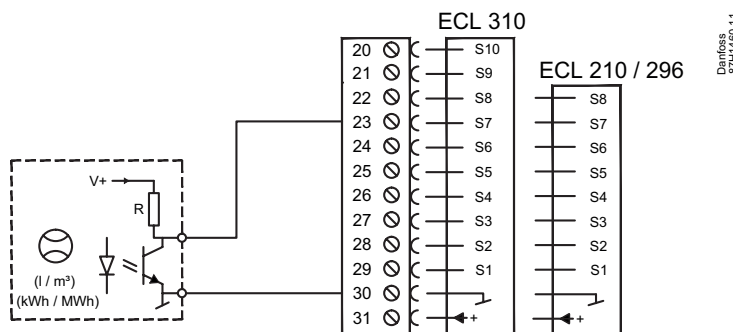


A:



Danfoss
87H1459.11

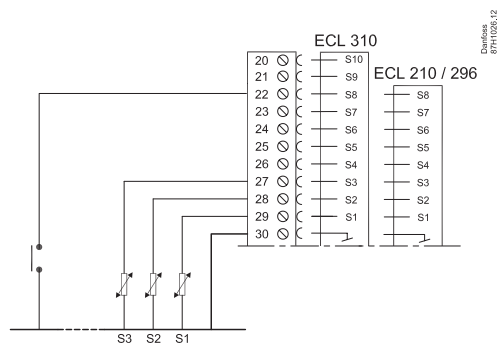
B:



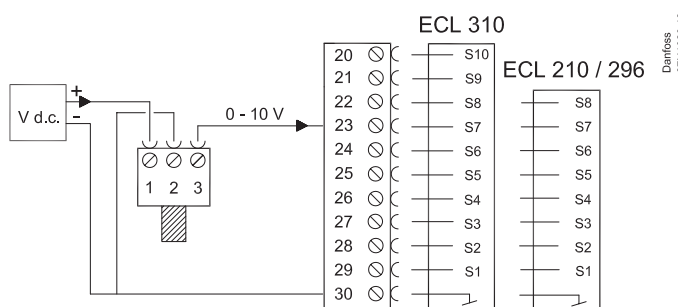
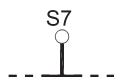
Danfoss
87H1460.11

A266.2 / A266.9 / A266.10

S8

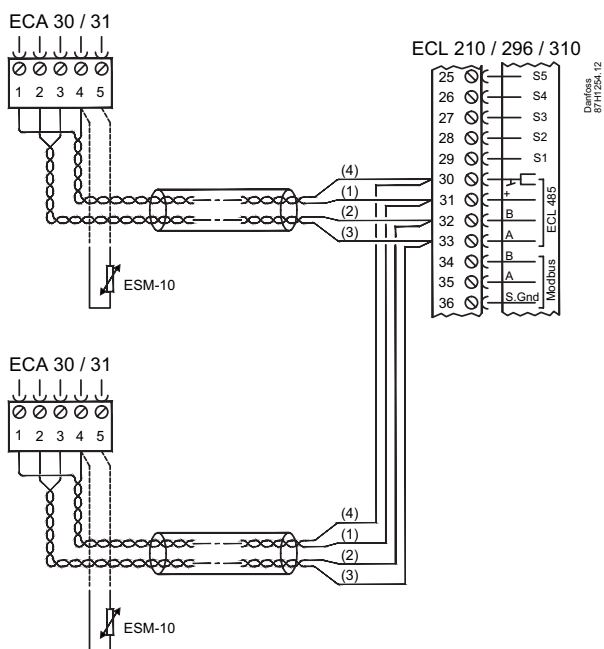
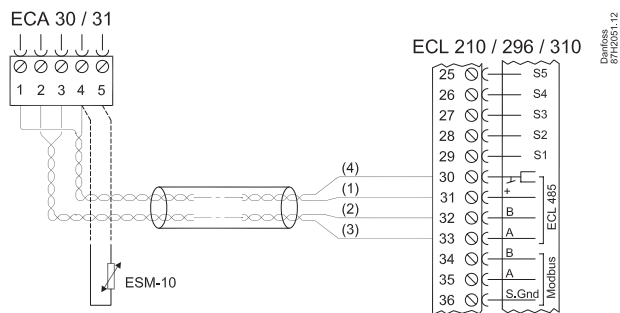


A266.9

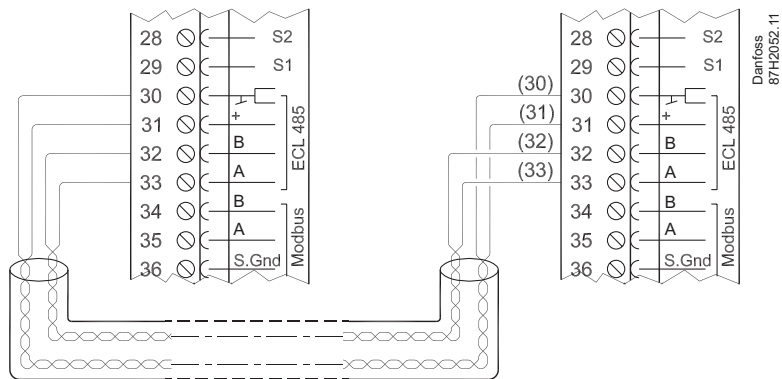


V d.c. = 12 - 24 V d.c.

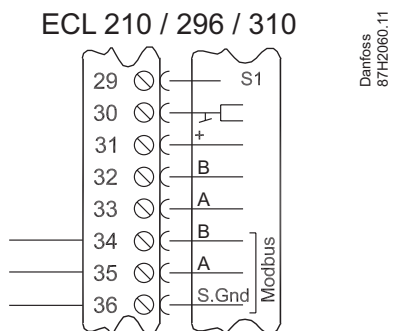
ECA 30 / 31



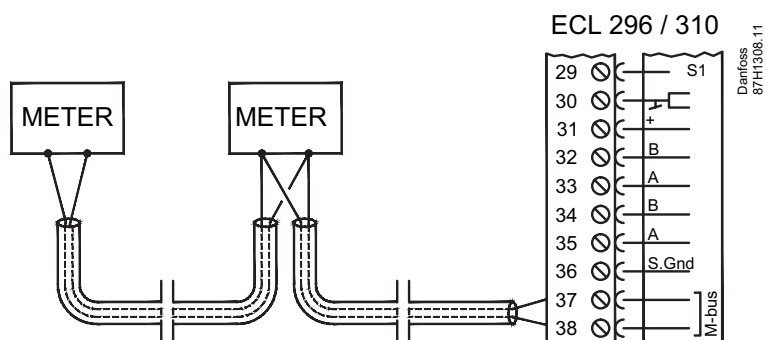
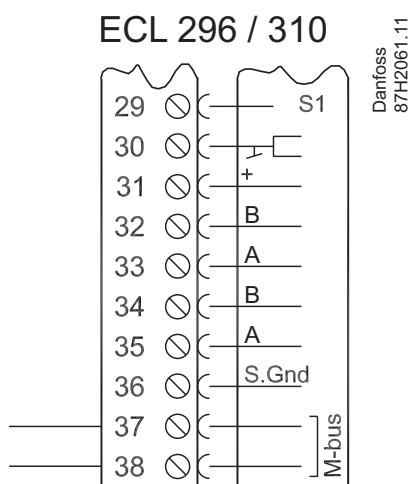
Master / slave



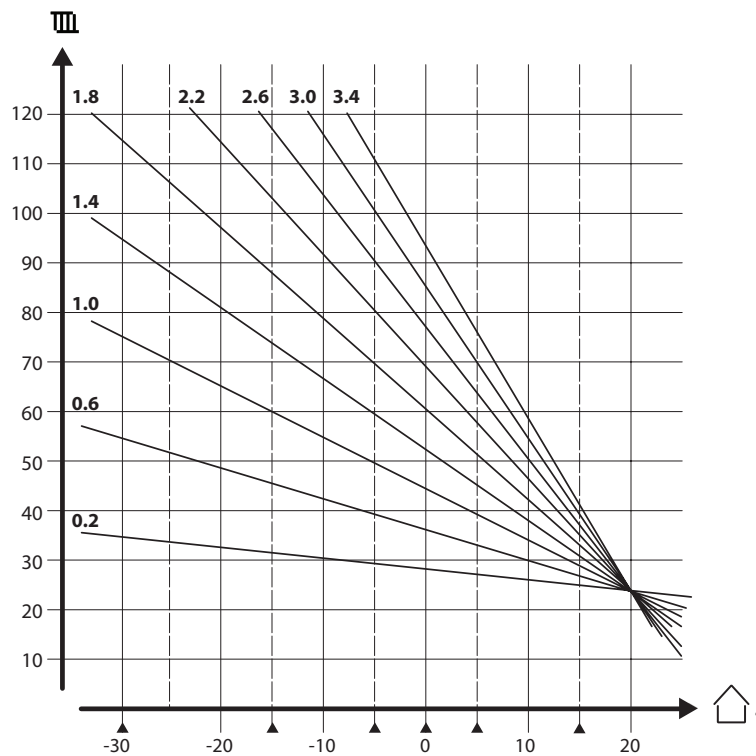
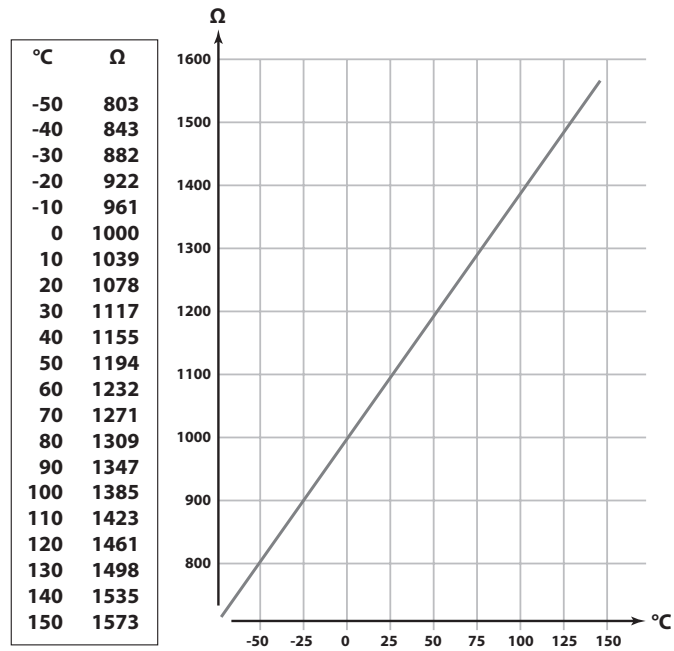
Modbus



M-bus

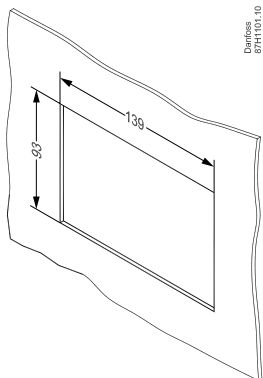


Pt 1000 (IEC 751B, 1000 Ω / 0 °C)



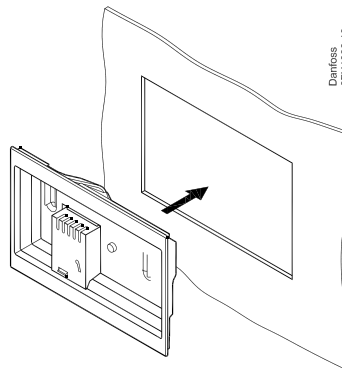
ECA 30

1



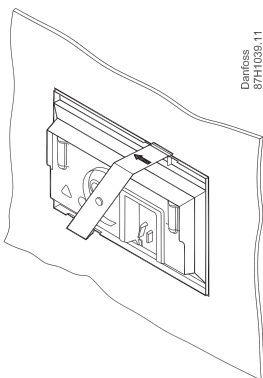
Danfoss
87H101.10

2



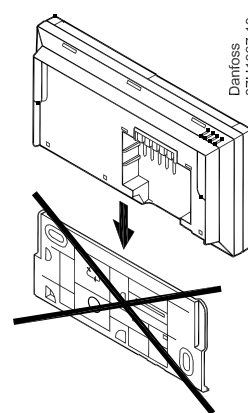
Danfoss
87H1038.10

3



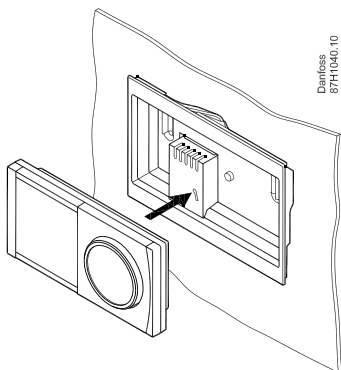
Danfoss
87H1039.11

4



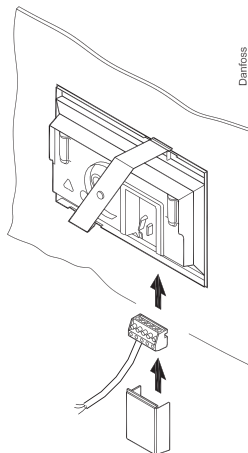
Danfoss
87H1037.10

5



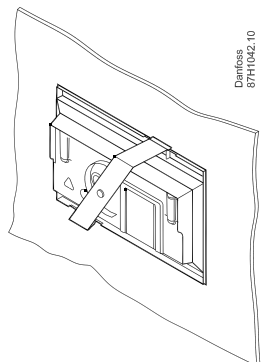
Danfoss
87H1040.10

6



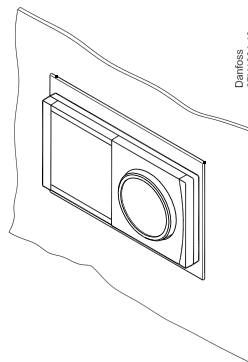
Danfoss
87H1041.11

7



Danfoss
87H1042.10

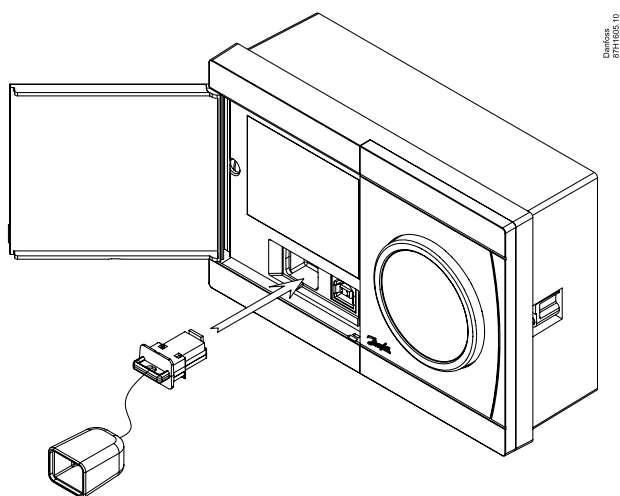
8



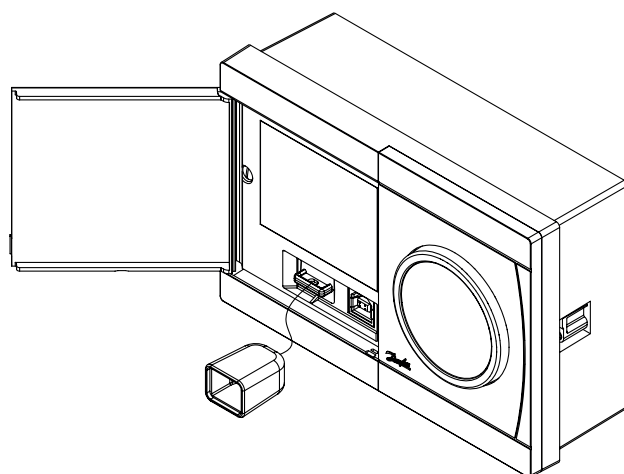
Danfoss
87H1064.10

ECL Comfort 296

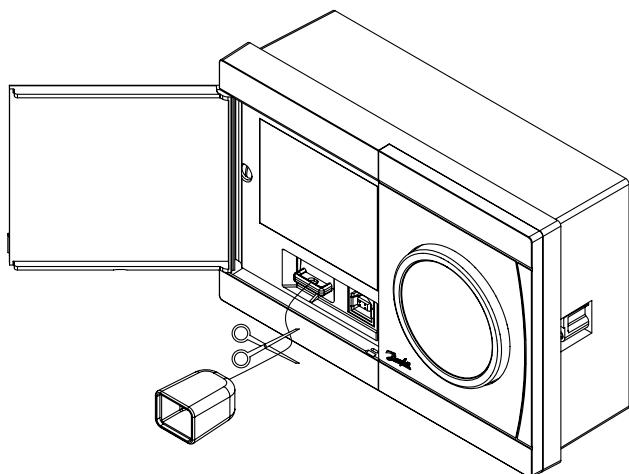
A:



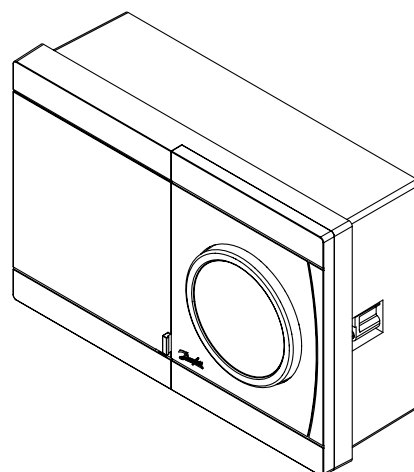
B:



C:

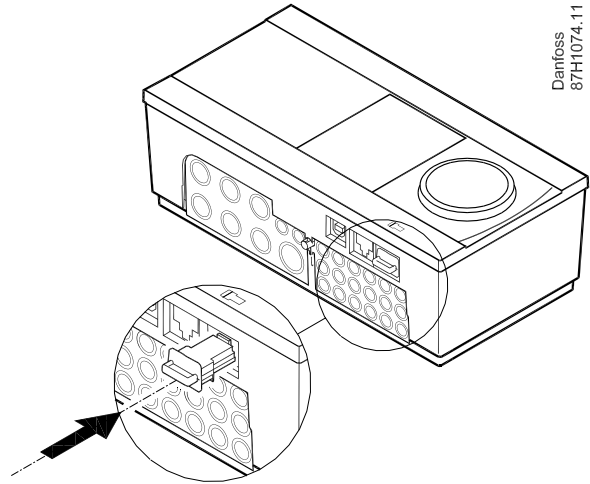
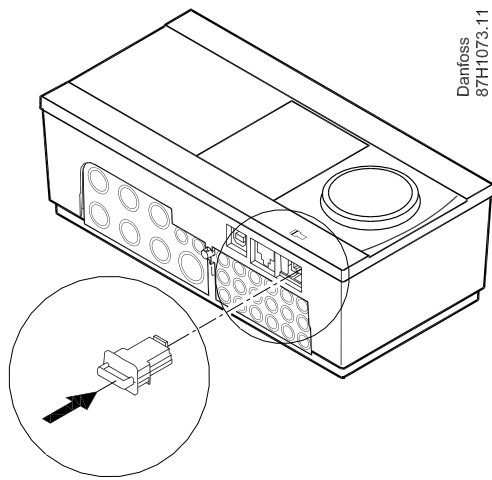
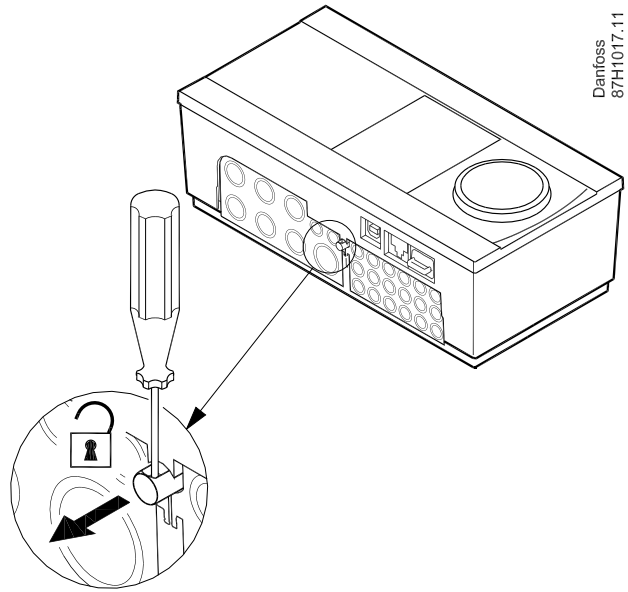


D:



Installation Guide, ECL Comfort 210 / 296 / 310, A266

ECL Comfort 210 / 310



? ECL Comfort 210 / 296 / 310, A266: www.heating.danfoss.com



Danfoss A/S
Heating Segment • heating.danfoss.com • +45 7488 2222 • E-Mail: heating@danfoss.com

Danfoss can accept no responsibility for possible errors in catalogues, brochures and other printed material. Danfoss reserves the right to alter its products without notice. This also applies to products already on order provided that such alterations can be made without consequential changes being necessary in specifications already agreed. All trademarks in this material are property of the respective companies. Danfoss and all Danfoss logotypes are trademarks of Danfoss A/S. All rights reserved.